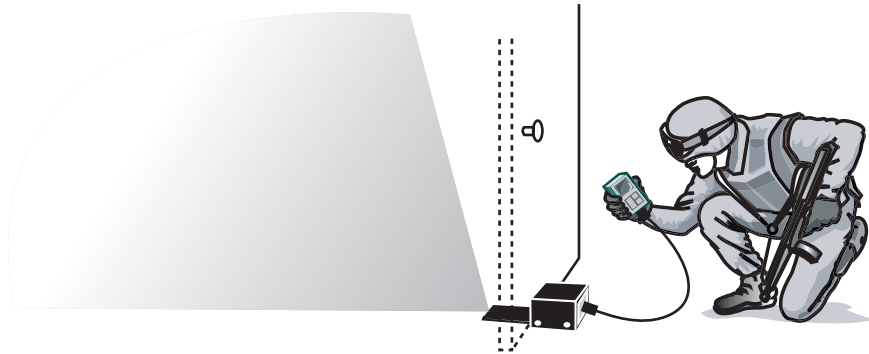


Under Door Camera



Covert Search and Surveillance

The Under Door Camera (UDC) can be used to survey rooms without the camera being visible to room occupants. Clear covert views can be obtained in rooms with limited ambient light. The UDC can also be used with a light source that is not visible to the human eye.

Quickly look into rooms with minimal physical site preparation or disturbance. The UDC is a practical and robust tool for use by professionals in a demanding environment.

Technology

The UDC utilizes advanced, high performance technology that is not found in any other under the door device. In the UDC a tiny Charge Coupled Device (CCD) camera has been built into the leading edge of the camera tongue. This image sensor provides high resolution black and white images which are transmitted to a monitor outside of the room being investigated.

Configuration

The UDC is a valuable tool for use in the field in its basic configuration. The UDC platform is expandable for organizations wishing to add capabilities such as infrared illumination, wireless image transmission or different monitor options.

About Us

IT Concepts is an established manufacturer of products that feature remote imaging technology. The company is recognized for remote imaging tools like Endoscopes, Borescopes, Fiberscopes and Videoscopes. Since 1990 IT Concepts has employed its optical, video, electronics and software resources to create robust and practical solutions for demanding applications.

Contact us to learn more about our products or to explore business opportunities.

What's Unique?

The UDC features a shock resistant CCD camera in the leading edge of the camera tongue.	Other under the door devices transmit the image through a series of lenses. Each lens interface creates light loss and results in limited viewing capabilities. The lenses are also susceptible to physical damage and misalignment.
The black and white image sensor with low light and ultra low light settings combines sensitivity with resolution.	This capability is not found in any other under the door device.

Specifications

Image Sensor	1/3" Black & White Super-HAD CCD
Resolution	400 TV Lines
Pixel Count	250,000 pixels
Sensitivity	0.005 Lux
Video Signal	RS-170
Direction of View	15° Forward
Field of View	70° Fore-Oblique
Depth of View	250mm (9.8 in) to infinity
Weight	390g (0.86 lb)
Insertion Tongue	Length: 135mm (5.3 in) Height: 6mm (0.23 in) Width: 35mm (1.38 in)
Hub	Length: 95mm (3.74 in) Height: 40mm (1.57 in) Width: 73mm (2.87 in)
Power	12V DC

IT Concepts reserves the right to change products and specifications without prior notice. This information does not convey any license by implication or otherwise under any patents or other right. Super-HAD is a trademark of Sony.

